

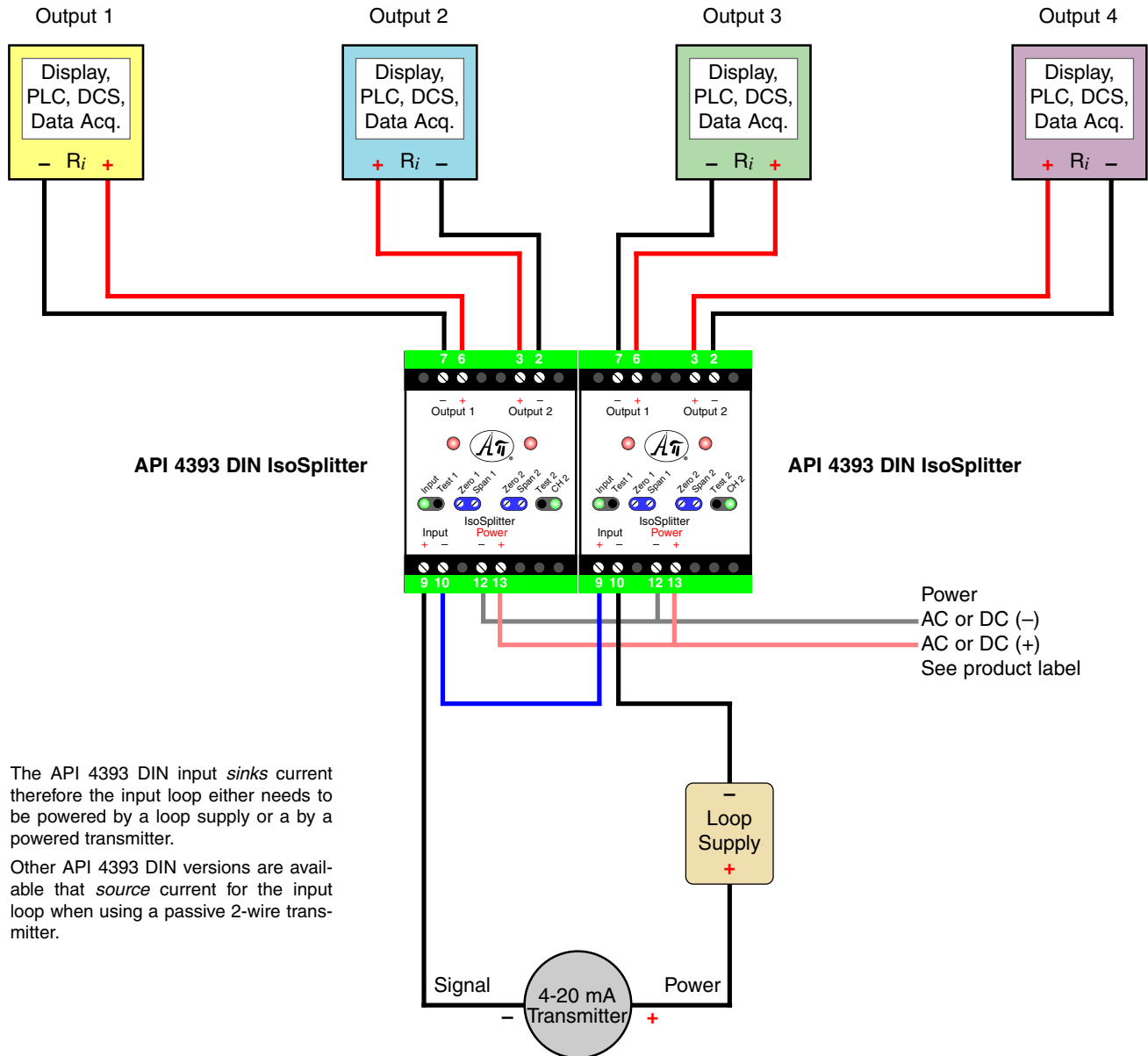


### 4-Way Signal Splitting

In a process control loop it may be necessary to send the output signal to more than two devices. Two API 4393 DIN IsoSplitter signal splitters may be used to accomplish this. Each of the output loops will be isolated from each other in addition to the input loop and the power sources.

The API 4393 has a sinking input, therefore the transmitter providing the input signal must provide the power to the input loop. The transmitter must also be able to drive 500 ohms. Both API 4393 IsoSplitter signal splitters need to be wired to the appropriate supply voltage.

The API 4393 DIN outputs *source* or provide current for the output loops. Other API 4393 DIN versions are available that *sink* current for one or both output loops when using receiving devices that provide loop power or have passive inputs.



DC Input

The API 4393 DIN input *sinks* current therefore the input loop either needs to be powered by a loop supply or a by a powered transmitter.

Other API 4393 DIN versions are available that *source* current for the input loop when using a passive 2-wire transmitter.

Splitting one input signal into four independent output signals.

**FREE APPLICATION ASSISTANCE**  
 Call **Customer Service**  
**800-942-0315**

API maintains a constant effort to upgrade and improve its products. Specifications are subject to change without notice. Consult factory for your specific requirements.