



Input: Most RTD and Thermistors
Outputs: One DPDT Relay or Two SPDT Relays

- Automatic Leadwire Compensation
- Field Adjustable Setpoints
- High Capacity 7 Amp Relay Contacts
- Input LoopTracker® & Alarm Status LEDs
- Alarm Test/Reset Pushbutton

Applications

- Process Limit Backup Alarm
- Temperature Alarm
- Over, Under, Out-of-Range Alarm

Specifications

Input

Factory Configured—Please specify the following

RTD: Resistance at 0°C and curve (0.00385 DIN, 0.003916 American, etc.)
 Typical RTDs: 10 Ω to 2000 Ω RTDs including 100 Ω DIN, 100 Ω American, 10 Ω Cu, 1000 Ω Ni-Fe, 120 Ω Ni or special

Thermistor: Type (NTC, PTC) and temperature curve data

Temperature Range: in °F or °C. Note: 100°F (55°C) is the recommended minimum span. Consult factory if a smaller span is required.

RTD Excitation Current

10 Ω: 10 mA 100 Ω: 5 mA
 1000 Ω: 0.5 mA 2000 Ω: 0.2 mA

Leadwire Compensation

Less than ±0.05% of span per 1 Ω change in leadwire resistance

LoopTracker®

Variable brightness LED indicates input loop level and status

Relay Output

Factory Configured—See Options for other relay configurations

API 1400 G One DPDT contact set
 HI alarm, normal action, non-latching standard
 7 A @ 240 VAC maximum resistive load
 3.5 A @ 240 VAC maximum inductive load
 8 A @ 30 VDC maximum

API 1420 G Two SPDT contacts
 HI/LO, normal action, non-latching standard
 7 A @ 240 VAC maximum resistive load
 3.5 A @ 240 VAC maximum inductive load
 8 A @ 30 VDC maximum

CAUTION: Socket contacts may limit system rating.
 External contact protection such as an RC snubber is recommended for inductive loads.

Setpoint

12 turn potentiometer, adjustable from 0 to 100% of span

Deadband

API 1400 G 1.0 to 100% of span, 12 turn potentiometer
API 1420 G Fixed at 1% of span
API 1420 GA 1.0 to 100% of span, 1 turn potentiometer

Functional Test/Reset Button

Toggle relay(s) to opposite state when pressed
 Resets latching relay on 1400 G with HT option

Response Time

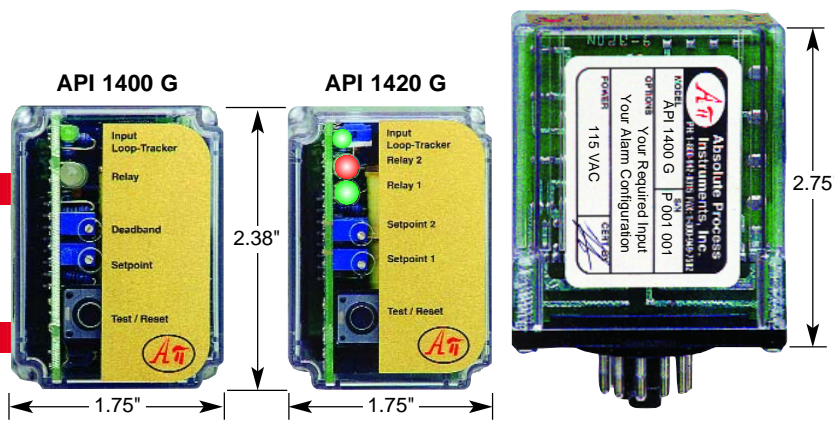
70 milliseconds typical

Ambient Temperature Range and Temperature Stability

-10°C to +60°C operating ambient
 Better than ±0.02% of span per °C temperature stability

Power

Standard: 115 VAC ±10%, 50/60 Hz, 2.5 W max.
 P option: 80-265 VAC or 48-300 VDC, 50/60 Hz, 2.5 W typical
A230 option: 230 VAC ±10%, 50/60 Hz, 2.5 W max.
 D option: 9-30 VDC, 2.5 W typical



Description and Features

The **API 1400 G** and **API 1420 G** are factory configured for a RTD or thermistor input and can be set up for virtually all RTD or thermistor types and related temperature spans. Standard features include automatic lead wire compensation for three-wire sensors. Heavy-duty relay contacts allow the module to directly control high capacity loads.

API exclusive features include a **LoopTracker** LED which varies in intensity with changes in the process signal, alarm status LEDs for each alarm, and a **Functional Test Pushbutton** to toggle the relays independent of the input.

The **API 1400 G** provides a single setpoint adjustment and DPDT relay contacts. The alarm output can be factory configured for HI or LO operation, non-latching or latching, normal or reverse acting.

The **API 1420 G** contains two independent setpoints with two SPDT relay contact outputs. The alarm output can be factory configured for HI/HI, HI/LO, LO/HI or LO/LO operation, normal acting or reverse acting.

Models & Options

Factory Configured—Please specify RTD or thermistor type, temperature range in °F or °C, and options

- API 1400 G** RTD/thermistor input alarm trip, 1 DPDT relay, HI alarm, normal action, non-latching, 115 VAC
- API 1420 G** RTD/thermistor input dual alarm trip, 2 SPDT relays, HI/LO, normal action, non-latching, 115 VAC

Options—Add to end of model number

- P** Powered by 80-265 VAC or 48-300 VDC, 50/60 Hz
- A230** Powered by 230 VAC, 50/60 Hz
- D** Powered by 9-30 VDC
- R** Reverse-acting alarms
- L** Low trip (on decreasing signal) for 1400 G
- HT** Latching alarm with pushbutton reset, API 1400 G only
- HP** Latching alarm with power-off reset, API 1400 G only
- A** Adjustable deadbands for 1420 G
- HH** High/High trip for 1420 G instead of High/Low
- LL** Low/Low trip for 1420 G instead of High/Low
- U** Conformal coating for moisture resistance

Accessories—Order as a separate line item

- API 011** 11-pin socket
- API 011 FS** 11-pin finger safe socket
- API TK36** DIN rail, 35 mm W x 39" L, aluminum

Temperature

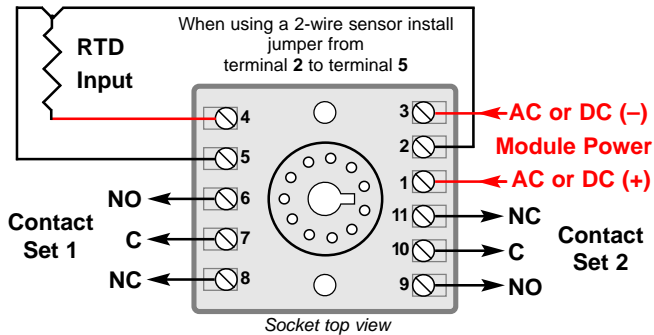


ELECTRICAL CONNECTIONS

WARNING! All wiring must be performed by qualified personnel only. This module requires an industry-standard 11-pin socket. Order API 011 or finger-safe API 011 FS socket separately.

Power Input Terminals – The white label on the side of the API module will indicate the power requirements. AC power is connected to terminals 1 and 3. For DC powered modules, polarity **MUST** be observed. Positive (+) is wired to terminal 1 and negative (-) is wired to terminal 3.

Temperature Input – Correct wiring must be observed for 3-wire sensors. With common 3-wire RTDs, the red wire is connected to terminal 4.



Relay Output Terminals – Terminals 6, 7, 8 and 9, 10, 11 provide the appropriate connections for the desired relay operations. (NO = Normally Open, NC = Normally Closed, C = Common). NOTE: Although the API 1400 G has a pair of relays, these relays will energize and de-energize in unison. The API 1420 G will accommodate independent relay operations.

SETUP

The sensor type, temperature range and alarm types are pre-configured at the factory as specified on your order. No input calibration is necessary. Contact factory for custom ranges or modifications.

Setpoint Control – This multi-turn potentiometer (one for each setpoint on the API 1420 G) allows the operator to adjust the level at which the alarm is activated. This control is adjustable from 0 to 100% of the input range.

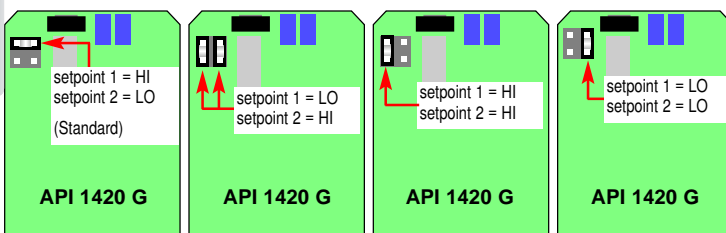
Deadband Control – The API 1400 G deadband potentiometer allows the alarm trip and reset window to be adjusted symmetrically about the setpoint from 1 to 100% of the span.

The deadband is fixed at 1% of span on the API 1420 G. The API 1420 G A with adjustable deadband option allows deadbands to be adjusted symmetrically about each setpoint from 1 to 100% of the span.

Adjustable deadband allows the operator to fine tune the point at which the alarm trips (alarm condition) and resets (non alarm condition). The deadband is typically used to prevent chattering of the relays or false trips when the process signal is unstable or changes rapidly.

API 1420 G Alarm Configuration – The alarm configuration of the API 1420 G is pre-configured at the factory per your order, but if a change is necessary, internal jumpers can be used to modify the alarm type as follows.

1. Unplug the module from the socket.
2. Remove the 4 screws from the module bottom and remove the plastic case.
3. Unplug the circuit board with the test button from the base.
4. Note location of jumper block at top left of circuit board next to test button.
5. Place jumpers as indicated for desired alarm operation. The standard HI/LO setting is with one jumper across the two top pins or with no jumper at all. Never place a jumper across the two bottom pins!
6. Replace board, cover, and screws.



TEST BUTTON

The functional test pushbutton toggles the alarm status independent of the input when depressed. It verifies the alarm and system operation and also provides the additional function of unlatching the alarm on the API 1400 G HT with the latching alarm option.

OPERATION

GREEN LoopTracker® Input LED – Provides a visual indication that a signal is being sensed by the input circuitry of the module. It also indicates the input signal strength by changing in intensity as the process changes from minimum to maximum to provide a quick visual picture of your process loop at all times. If the LED fails to illuminate, or fails to change in intensity as the process changes, this may indicate a problem with module power or signal input wiring. This feature greatly aid in saving time during initial start-up or troubleshooting.

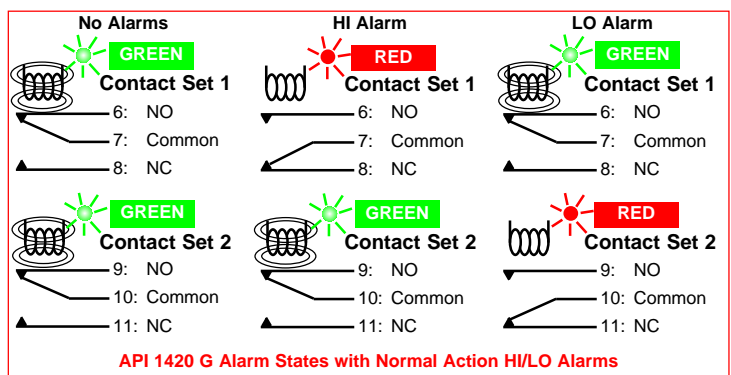
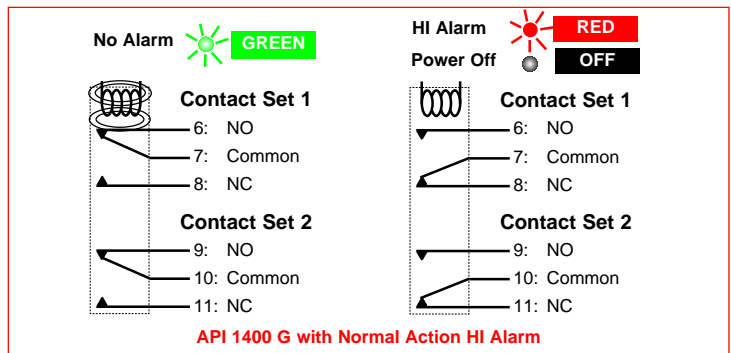
The bi-color alarm LED provides a visual indication of the alarm status. In all configurations, a GREEN LED indicates a non-alarm condition and a RED LED indicates an alarm condition.

Alarm Relays – In the normal mode of operation, the relay coil is energized in a non-alarm condition and de-energized in an alarm condition. This will create an alarm condition if the module loses power. For a normal acting, non-latching configuration, the alarm will activate when the input signal exceeds the setpoint (HI alarm) or falls below the setpoint (LO alarm), then will automatically reset when the alarm condition no longer exists.

If reverse acting mode is selected, the relay coil is de-energized in a non-alarm condition and energized in an alarm condition. The alarm will activate when the input signal exceeds the setpoint (HI alarm) or falls below the setpoint (LO alarm), then will automatically reset when the alarm condition no longer exists.

API 1400 G HT Latching Alarm – For units with the HT latching alarm option, the alarm relay contacts will remain in the alarmed condition until the input signal falls below the high alarm setpoint (or above low alarm setpoint, depending on configuration) and the Test/Reset pushbutton has been pressed or power to the unit has been switched off.

API 1400 G HP Latching Alarm – For units with the HP latching alarm option, the alarm relay contacts will remain in the alarmed condition until the input signal falls below the high alarm setpoint (or above low alarm setpoint, depending on configuration) and the power to the unit has been switched off.



API maintains a constant effort to upgrade and improve its products. Specifications are subject to change without notice. Consult factory for your specific requirements.