



Input: 0-100 mV to 0-100 VDC, Bipolar Voltages, 0-1 mA to 0-900 mADC
Output: 0-1 V to ±10 VDC or 0-1 mA to 4-20 mA

- Full 2000 V Input/Output/Power Isolation
- Factory Set Custom Input and Output Ranges
- Input and Output LoopTracker® LEDs
- Functional Test Pushbutton
- Built-In Loop Power Supply

Applications

- Convert, Boost, Rescale Process Signals
- One Model to Interface Process Signals with Panel Meters, Recorders, Data Acquisition Cards, PLCs, DCS Systems, SCADA Systems

Specifications

Input Ranges

Factory Configured—Please specify output range or consult factory
 See table on other side for common ranges

	Minimum	Maximum
Voltage:	0-100 mVDC	0-100 VDC
Bipolar Voltage:	±100 mVDC	±10 VDC
Current:	0-1 mADC	0-900 mADC

Input Impedance (Voltage)

200 kΩ minimum

Input Voltage Burden (Current)

1.25 VDC maximum

Output Zero and Span

Multiturn potentiometers to compensate for load and lead variations
 ±15% of span adjustment range typical

Input Loop Power Supply

12 VDC nominal, regulated, 25 mADC, max. ripple, less than 1.5 V_{p-p}

LoopTracker

Variable brightness LEDs indicate input/output loop level and status

Output Ranges

Factory Configured—Please specify output range or consult factory

	Minimum	Maximum	Load Factor
Voltage:	0-1 VDC	0-10 VDC	
Bipolar Voltage:	±1 VDC	±10 VDC	
Current (20 V compliance):	0-1 mADC	0-20 mADC	1000 Ω at 20 mA

Output Linearity

Better than ±0.1% of span

Output Ripple and Noise

Less than 10 mV_{RMS}

Functional Test Button

Sets output to test level when pressed. Factory set to approx. 50% of span.

Response Time

70 milliseconds typical

Common Mode Rejection

120 dB minimum

Isolation

2000 V_{RMS} minimum

Full isolation: power to input, power to output, input to output

Ambient Temperature Range and Stability

-10°C to +60°C operating ambient

Better than ±0.04% of span per °C stability

Power

Standard: 85-265 VAC/VDC

DD option: 9-30 VAC/VDC



Description and Features

The **API 4300 DIN** and **API 4300 DD** accept a DC voltage or current input and provides an optically isolated DC voltage or current output that is linearly related to the input. Typical applications include signal isolation, conversion, boosting or a combination of the three. Full 3-way isolation (input, output, power) makes this module useful for ground loop elimination, common mode signal rejection or noise pickup reduction.

The **API 4300 DIN** and **API 4300 DD** are factory configured to customer requirements. Common ranges as well as custom ranges are possible. Consult the factory for assistance with special ranges.

API exclusive features include two **LoopTracker** LEDs and a **Functional Test Pushbutton**. The LoopTracker LEDs (Green for input, Red for output) vary in intensity with changes in the process input and output signals. Monitoring the state of these LEDs can provide a quick visual picture of your process loop at all times. The functional test pushbutton provides a fixed output (independent of the input) when held depressed. The test output level is fixed at 50% of output span. Both the LoopTracker LEDs and functional test pushbutton greatly aid in saving time during initial startup and/or troubleshooting.

Also standard on the **API 4300 DIN** and **API 4300 DD** is a 12 VDC loop excitation supply. This supply can be used to power passive input devices, often eliminating the need for an additional external power supply. The **API 4300DIN** can be either DIN rail or panel mounted

Factory Configured—Please specify input/output ranges and options

API 4300 DIN DC to DC isolated transmitter, w. loop power supply, 85-265 V

API 4300 DD DC to DC isolated transmitter, w. loop power supply, 9-30 V

Options—Add to end of model number

DF Fast response, 1 millisecond nominal response time

M01 Input/output reversal, such as 4-20 mA in to 20-4 mA out

EXTSUP Open collector output when a “sinking” output is required

U Conformal coating for moisture resistance

Accessories—Order as separate line item

API TK36 DIN rail, 35 mm W x 39” L, aluminum



RANGES

Listed below are commonly ordered input and output ranges. Consult factory for other available ranges. Contact factory for special ranges.

Common Voltage Inputs	
0 to 100 mV	0 to 50 V
0 to 200 mV	0 to 100 V
0 to 500 mV	±100 mV
0 to 1 V	±200 mV
0 to 2 V	±500 mV
0 to 5 V	±1 V
1 to 5 V	±2 V
0 to 10 V	±5 V
0 to 20 V	±10 V
Common Current Inputs	
0 to 1 mA	0 to 100 mA
0 to 10 mA	0 to 200 mA
0 to 20 mA	0 to 500 mA
4 to 20 mA	
10 to 50 mA	

Common Voltage Outputs
0 to 1 V
0 to 5 V
1 to 5 V
0 to 10 V
±5 V
±10 V
Common Current Outputs
0 to 20 mA
4 to 20 mA

ELECTRICAL CONNECTIONS

WARNING! All wiring must be performed by qualified personnel only. This module requires an industry-standard DIN rail mount. Order API TK36 DIN rail separately.

Power Input Terminals – The white label on the side of the API module will indicate the power requirements. Power is connected to terminals 10 and 12. When using DC power, either polarity is acceptable, but for consistency with similar API products, negative (-) can be wired to terminal 10 and positive (+) can be wired to terminal 12.

Powered Signal Input – Polarity must be observed when connecting the signal input. The negative (-) connection is applied to terminal 7 and the positive connection (+) is applied to terminal 8.

Passive Signal Input – Polarity must be observed when connecting the signal input. A passive input device can be powered by the 12 volt DC power supply at terminal 9. This may save the expense of purchasing a separate power supply for the input device. A typical example is shown, however it is very important to consult the manufacturer of your specific sensor to determine its compatibility and proper wiring.

Signal Output Terminals – Polarity must be observed when connecting the signal output to the load. The negative (-) is connected to terminal 1 and the positive connection (+) is connected to terminal 2. Output is powered unless option EXTSUP was ordered for a sinking output requirement.

CALIBRATION

Input and output ranges are pre-configured at the factory as specified on your order. Top-mounted, Zero and Span potentiometers can be used should fine-tuning be necessary. Custom ranges may require factory modification.

1. Apply power to the module and allow a minimum 20 minute warm up time.
2. Using an accurate calibration source, provide an input to the module equal to the minimum input required for the application.
3. Using an accurate measurement device for the output, adjust the Zero potentiometer for the exact minimum output desired. The Zero control should only be adjusted when the input signal is at its minimum. This will produce the corresponding minimum output signal. Example: for 4-20 mA output signal, the Zero control will provide adjustment for the 4 mA or low end of the signal.
4. Set the input at maximum, and then adjust the Span pot for the exact maximum output desired. The Span control should only be adjusted when the input signal is at its maximum. This will produce the corresponding maximum output signal. Example: for 4-20 mA output signal, the Span control will provide adjustment for the 20 mA or high end of the signal.
5. Repeat adjustments for maximum accuracy.

TEST BUTTON

The Test pushbutton may be used to drive the device on the output side of the loop (a panel meter, chart recorder, etc.) with a known good signal that can be used as a system diagnostic aid during initial start-up or during troubleshooting. This test signal is factory set to approximately 50% of the calibrated output range. When the button is released, the output will return to normal.

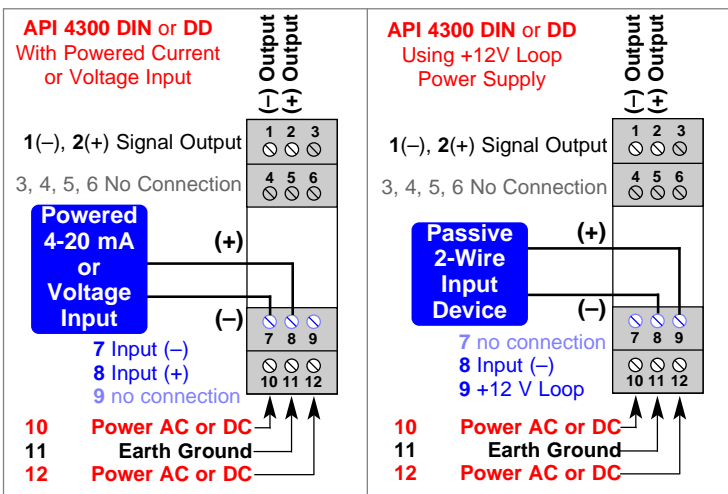
Example: If you are checking a 4-20 mA current loop, when the pushbutton is held depressed, the output from the module will be approximately 12 mA.

OPERATION

The API 4300 DIN and API 4300 DD are factory configured to your exact input and output requirements. The input is filtered, either amplified or attenuated as required, then passed through to the output stage.

GREEN LoopTracker® Input LED – Provides a visual indication that a signal is being sensed by the input circuitry of the module. It also indicates the input signal strength by changing in intensity as the process changes from minimum to maximum. If the LED fails to illuminate, or fails to change in intensity as the process changes, this may indicate a problem with module power or signal input wiring.

RED LoopTracker output LED – Provides a visual indication that the output signal is functioning. It becomes brighter as the input and the corresponding output change from minimum to maximum. For current outputs, the RED LED will only light if the output loop current path is complete. For either current or voltage outputs, failure to illuminate or a failure to change in intensity as the process changes may indicate a problem with the module power or signal output wiring.



DuoPak NEED 2 I/O CHANNELS? SEE PAGE 19

API maintains a constant effort to upgrade and improve its products. Specifications are subject to change without notice. Consult factory for your specific requirements.