

# Application-Report

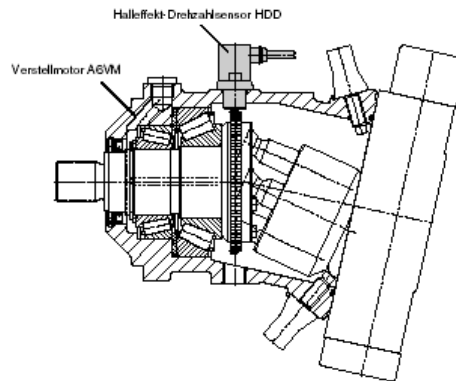
**Rexroth** Hydrostatic drives  
Bosch Group Bosch Rexroth



## Task:

The speed and rotation of direction of hydrostatic drives are to be measured and passed on to the control system. The environmental conditions place extreme demands on the reliability and sturdiness of the sensors.

These drives can be used for snowplows, street cleaning vehicles, agricultural machines and any sort of construction machines. But they can also be used in drill heads of tunnel boring machines or in special vehicles.



Source: Bosch Rexroth

## Solution:

Depending on the version, the two-channel differential hall-effect sensors of the HDD series either transmit two frequency signals, which are phase shifted by 90° or one frequency signal, and one rotational direction signal (0 / 24 V).

These sensors can be used at pressures of up to 10 bar and at temperatures of between -40°C and +125°C. They meet the toughest requirements in terms of thermal shock resistance, electromagnetic compatibility, vibration resistance, shock resistance and resistance against known oil types, diesel, salt fog and high-pressure cleaners. The sensors are protected by special individual wire seals, among others from fluids entering them through cables (IP69K protection class).

The sensors are used at a large scale in hydrostatic drives exclusively by Bosch-Rexroth - Mobile Hydraulics (previously also Brueninghaus Hydromatik).



**Rheintacho is a flexible, highly efficient partner- wherever speed must be measured, monitored or indicated. Innovation, the most modern production techniques and equipment, meticulous quality control along with a first-class workforce are the corner stones of our company. For the past 100 years, Rheintacho has used his extensive knowledge and experience to developed sensors, systems and customized solution to meet the customer's requirements.**